



NEW PRODUCTS

— FALL 2023

 **LANG**
TECHNIK
simple. gripping. future.

Dear Readers,

We are delighted to present our latest product developments to you today.

As a leading manufacturer in the field of workholding technology, it is our mission to continuously develop innovative solutions that make your everyday work easier and at the same time lift your business to a higher level. We understand that time and resources are precious, which is why we do everything we can to offer you products that increase your productivity and thus give you a competitive edge.

In today's high-tech industry, productivity and efficiency are critical factors in staying competitive. Our new products have been developed with precisely this focus: to optimize your work processes, shorten your production cycles and help you further increase the quality of your products.

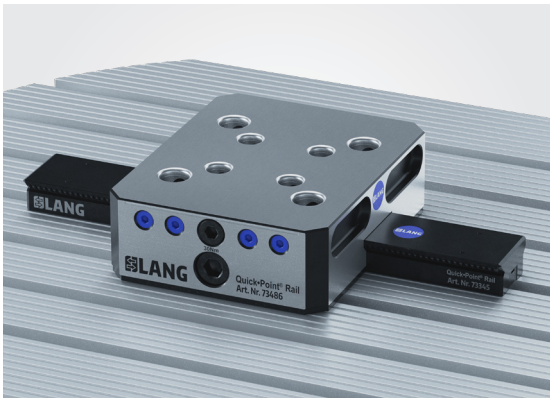
As a company that has anchored innovation as a core value, we always pursue two decisive goals. On the one hand, we want to make a significant contribution to progress through novel solutions and thus live up to our pioneering role. On the other hand, we strive to continuously optimize and improve our existing product range so that you as a customer can benefit from our reliable and high quality clamping systems in the best possible way.

We are convinced that we have once again been able to improve our product range with the solutions presented in this brochure – both in the area of stamping technology / workholding and in zero point clamping technology.

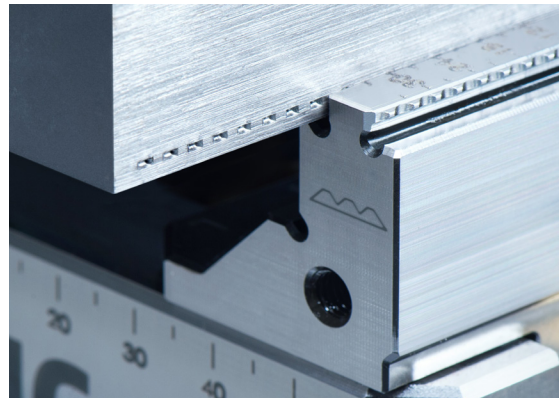
Let the following pages inspire you and discover the exciting new products we have in store for you. If you have any further questions or requests, please do not hesitate to contact us. We will be happy to assist you at any time.

Thank you for your confidence in our brand. We hope that you are as enthusiastic about our new products as we are.

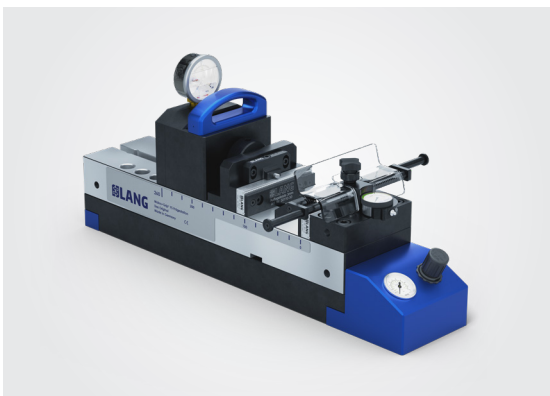
New products 2023



Quick-Point® Rail 4



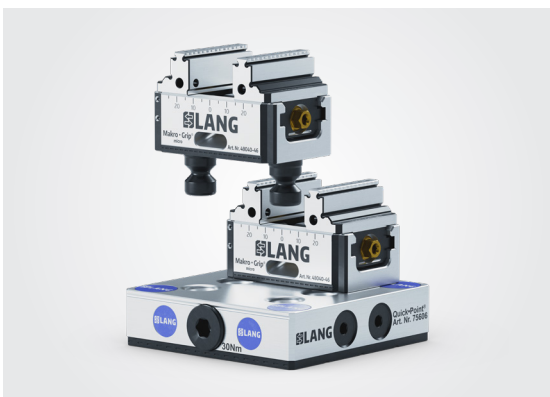
Makro-Grip® FS 10



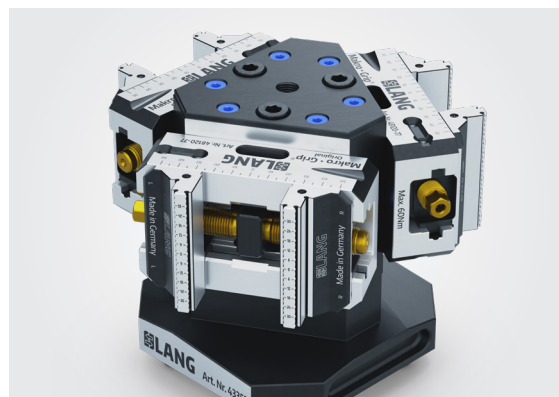
Makro-Grip® FS Stamping Unit 14



Makro-Grip® FS 5-Axis Vises 18



Makro-Grip® 46 micro 20
Quick-Point® 52 duo



Quick-Point® Tri-Top 24



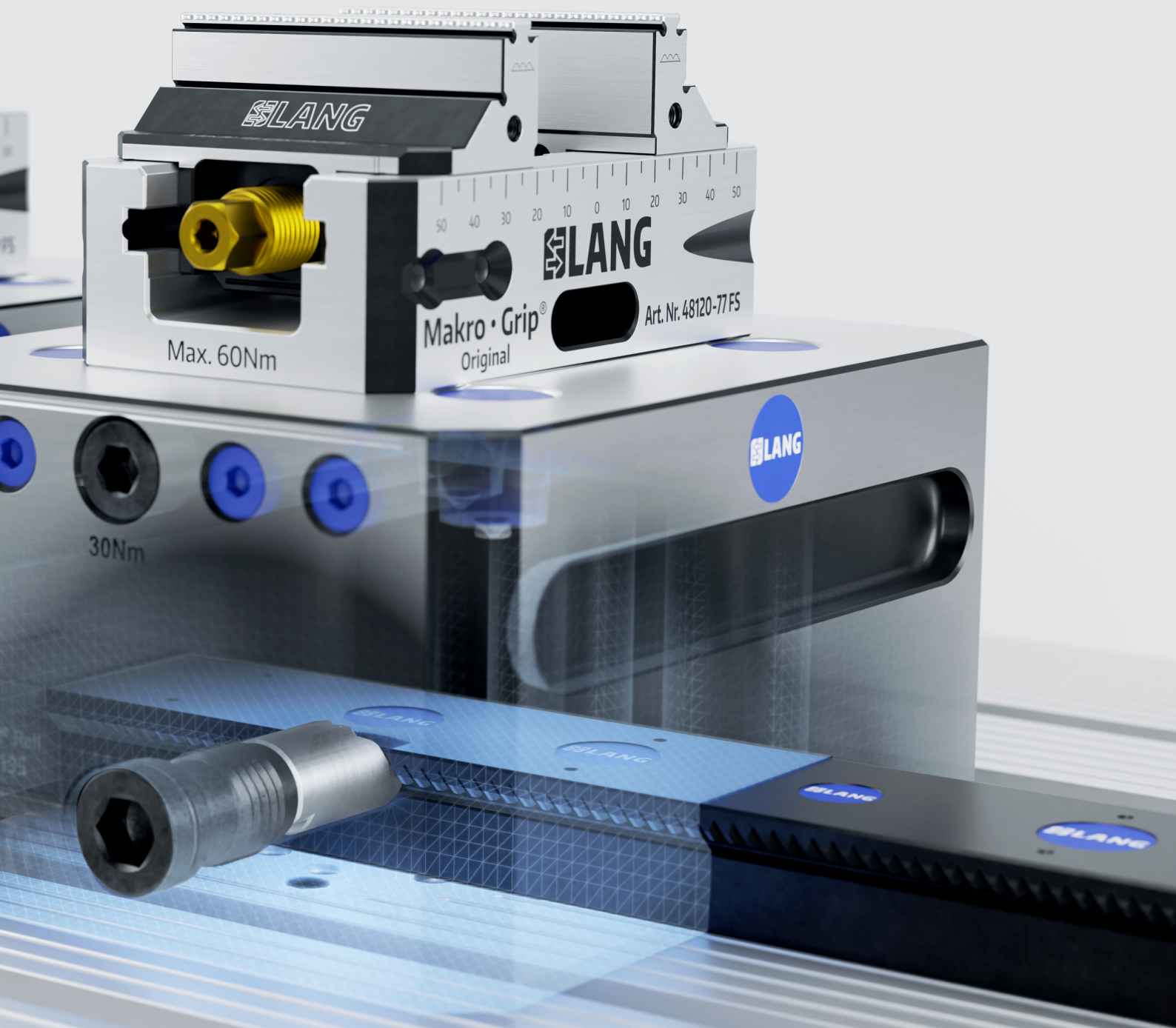
Quick-Point® Rail

PATENT PENDING

Right on track with an all new zero point concept

The Quick-Point® Rail system impresses with its enormously diverse range of applications combined with outstanding cost efficiency. Especially when used on pallet automation systems, large 3-axis tables and clamping bridges, it ensures drastic savings, as it does not require a zero point base plate at

all. Set-up speed and flexibility are once again key with Quick-Point® Rail! The seamless lining up of the clamping bars enables variable positioning of the zero point units in 4 mm increments – extremely fast and with high repeatability.



→ **Extremely variable clamping possibilities**

thanks to flexible arrangement of the zero point units on the clamping bar

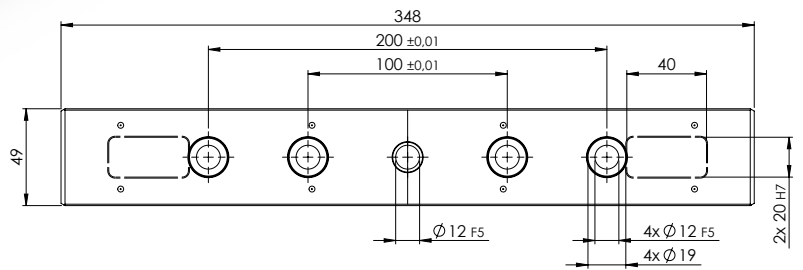
→ **Start directly, without preparation**

as machine tables / pallets do not have to be modified / drilled

→ **Outstanding cost efficiency**

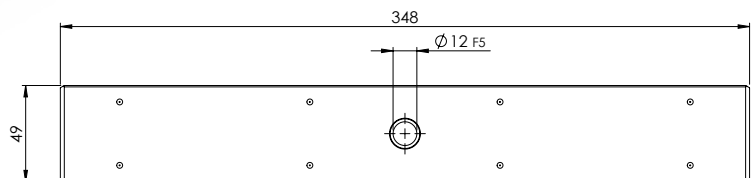
since no base plates are required

Quick-Point® Rail Clamping bar



QUICK-POINT® RAIL, CLAMPING BAR WITH MOUNTING BORES

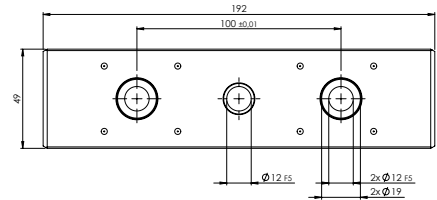
ITEM NO.	DIMENSIONS	MOUNTING BORES	KEYWAYS	WEIGHT
73345	348 × 49 × 25 mm	4 × for M10 / M12 at a distance of 50 / 100 mm	2 × 20H7	2,6 kg



QUICK-POINT® RAIL, CLAMPING BAR WITHOUT MOUNTING BORES

ITEM NO.	DIMENSIONS	WEIGHT
73340	348 × 49 × 25 mm	2,7 kg
45004	Set mounting bores according to customer's request	
45002	Set keyways according to customer's request	

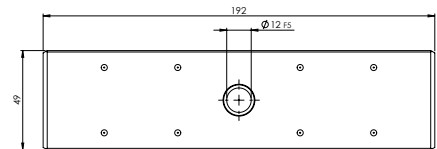
Quick-Point® Rail Extension bar



QUICK-POINT® RAIL, EXTENSION BAR WITH MOUNTING BORES

ITEM NO.	DIMENSIONS	MOUNTING BORES	WEIGHT
73195	192 × 49 × 25 mm	2 × for M10 / M12 at a distance of 100 mm	1,4 kg

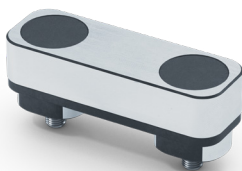
Extension bars are to be used exclusively as a supplement to clamping bars and can be extended to the left and right of the latter as required.



QUICK-POINT® RAIL, EXTENSION BAR WITHOUT MOUNTING BORES

ITEM NO.	DIMENSIONS	WEIGHT
73190	192 × 49 × 25 mm	1,5 kg
45004	Set mounting bores according to customer's request	
45002	Set keyways according to customer's request	

The extension bars are to be used exclusively as a supplement to the clamping bars and can be extended to the left and right of the latter as required.

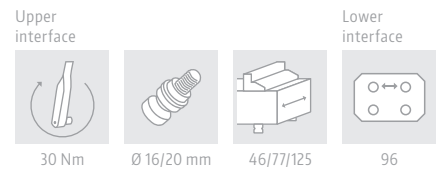


QUICK-POINT® RAIL, CONNECTOR

ITEM NO.	QTY
73701	1 pc.

Connectors are required whenever clamping and extension bars are to be joined together.

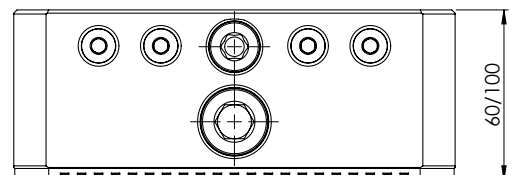
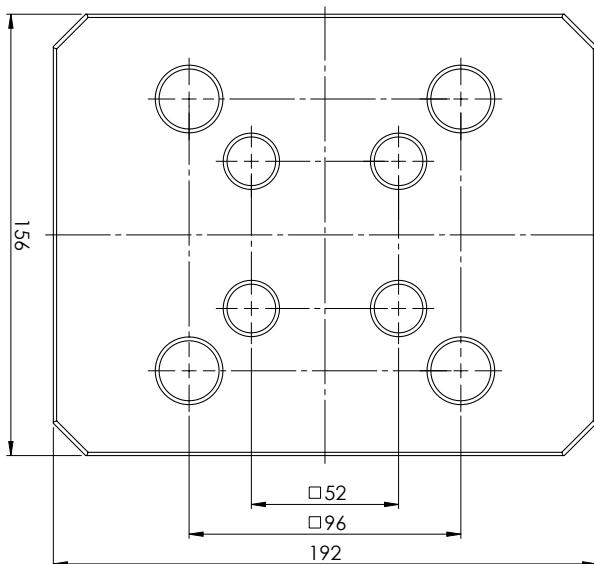
Quick-Point® Rail 5-axis combi riser



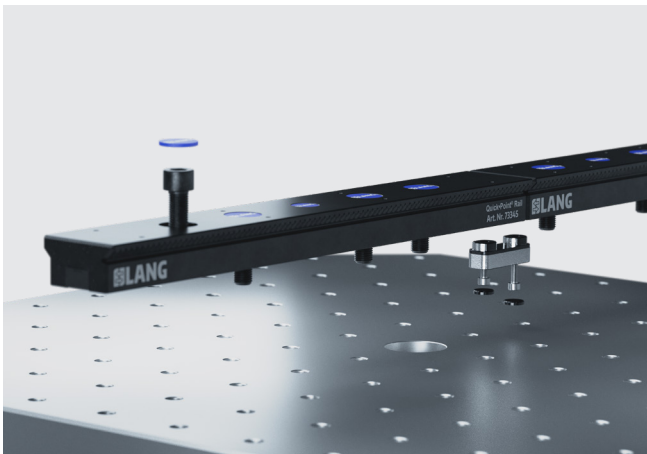
QUICK-POINT® RAIL, 5-AXIS COMBI RISER

ITEM NO.	DIMENSIONS	WEIGHT
73486	192 × 156 × 60 mm	10,4 kg
73487	192 × 156 × 100 mm	18,6 kg

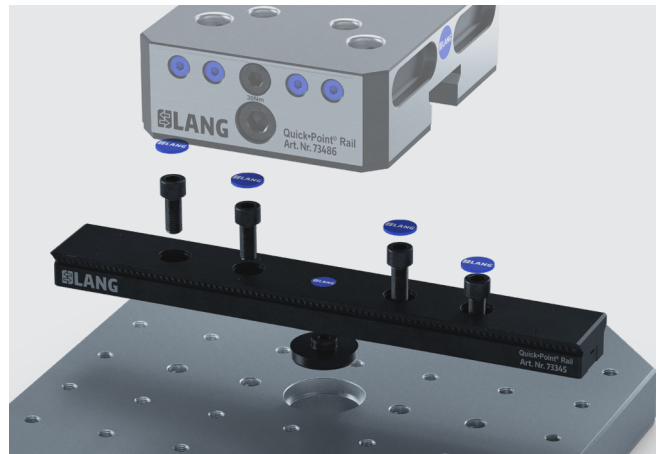
Possible as an option: Attachment of 4 × Quick-Point® clamping studs Ø 20 mm for mounting in the Quick-Point® 96 zero point system (not included!).



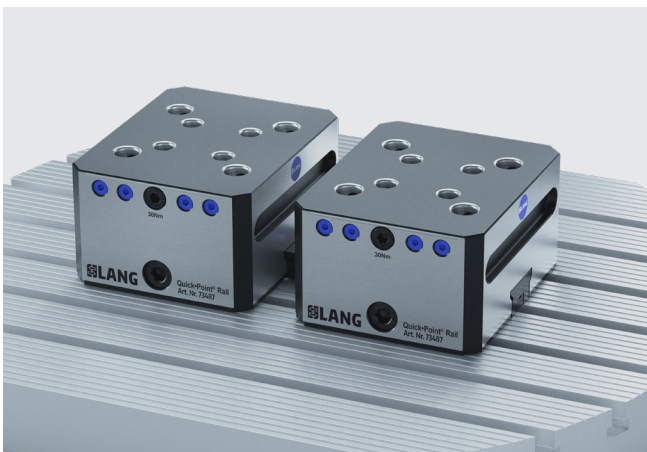
Flexible arrangements of zero point units on the clamping bars



Extension bars can be added to the left and right of a clamping bar. A continuous 4 mm grid is created across both bars, which allows the risers to be moved flexibly.



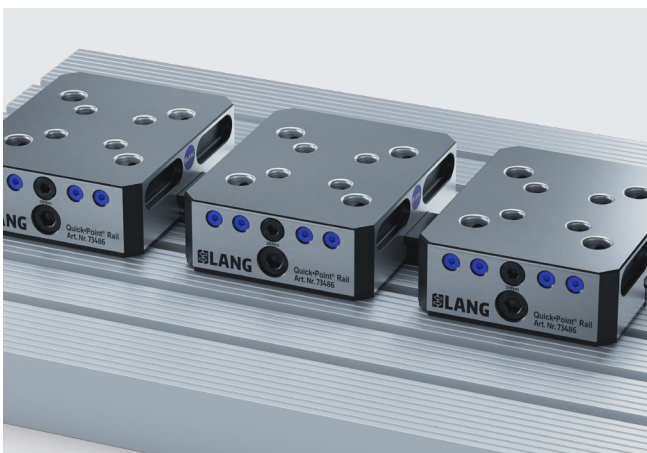
No pre-drilling of the pallet or machine table. Clamping bars can be screwed down directly. Centered alignment in the middle is also possible.



1 × clamping bar 348 mm with 2 × combi risers on t-slot table.



1 × clamping bar 348 mm with 1 × centered combi riser on pallet table with 50 mm bore hole grid.



1 × clamping bar 192 mm + 1 clamping bar 348 mm with 3 × combi risers on 3-axis slot table.



1 × clamping bar 348 mm with 2 × combi risers on pallet table with 50 mm bore hole grid.




Makro·Grip[®] FS

PATENT PENDING

Our stamping technology has set the bar in raw part machining for years. Now let's take it **one step further!**

With a revised stamping unit, new stamping jaws and an additional series of our 5-Axis Vises, we evolve "The Original" and continue to provide you with the highest quality standard in 5-axis machining. Numerous new features make the operation of the stamping unit

even easier and more effective. Thanks to a new stamping contour in the blank and the matching serration in the 5-Axis Vise, you achieve up to 60% higher holding forces with the same clamping parameters (depending on material hardness and stamping depth).



**60% more power.
100% compatible.
0% compromises.**

→ **Higher efficiency**

thanks to a higher cutting performance and faster milling processes

→ **Even more reliability**

and safety in workpiece clamping

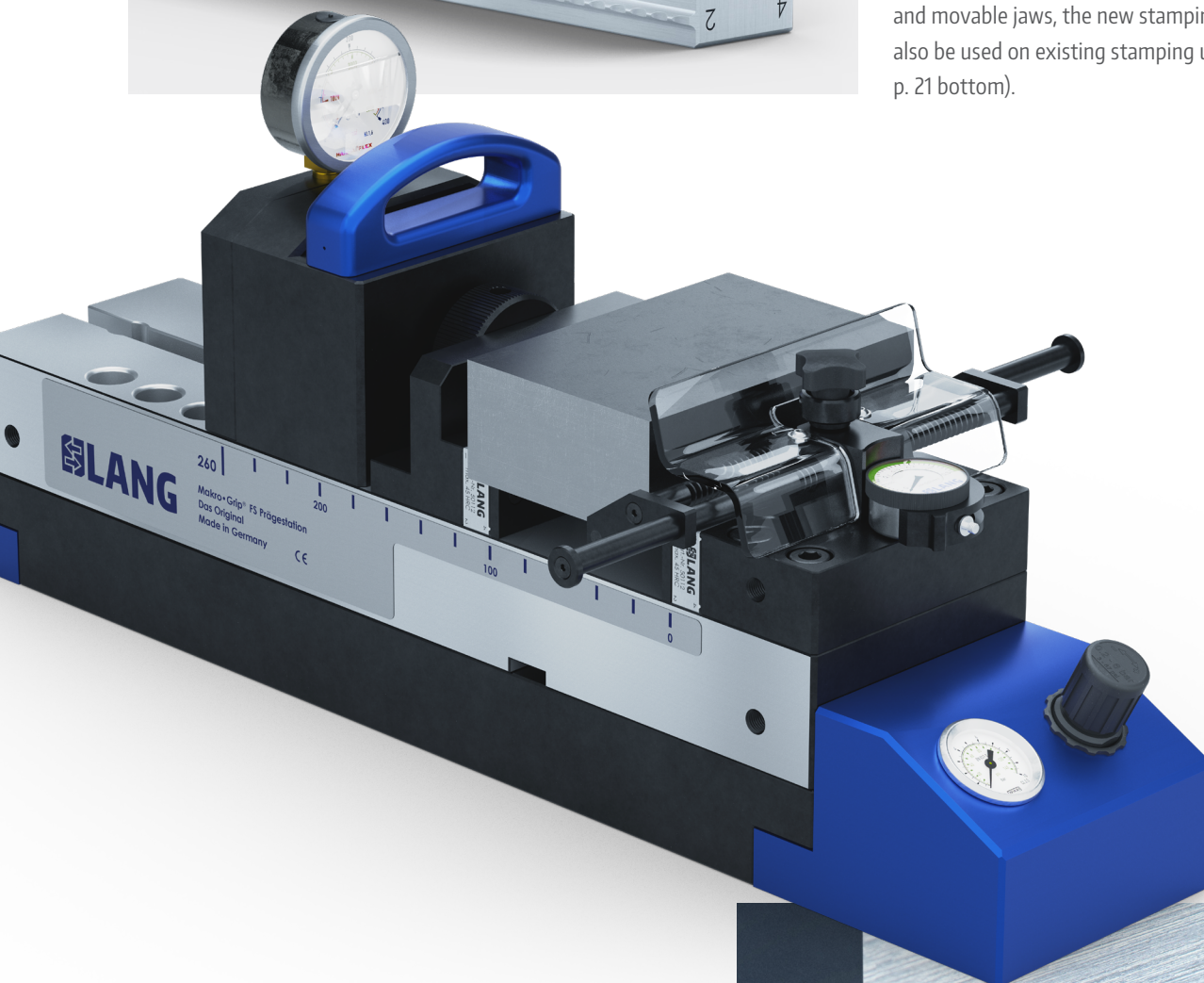
→ **Better workpiece quality**

with reduced use of material and operating resources



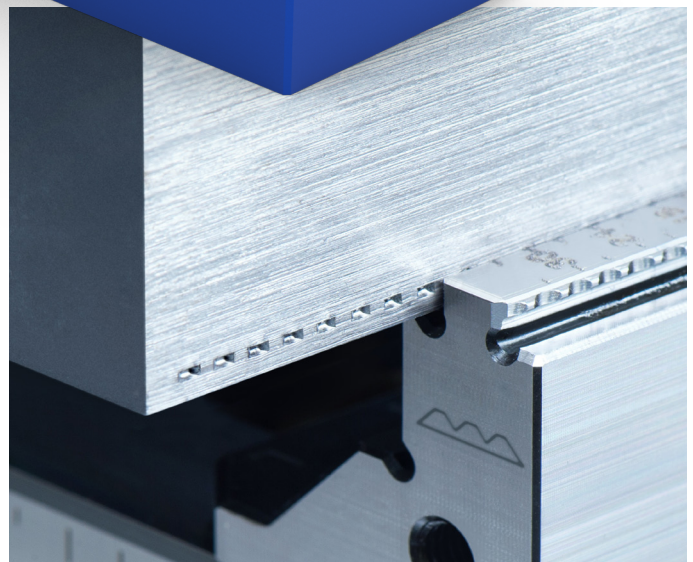
Increased longevity of the stamping jaws

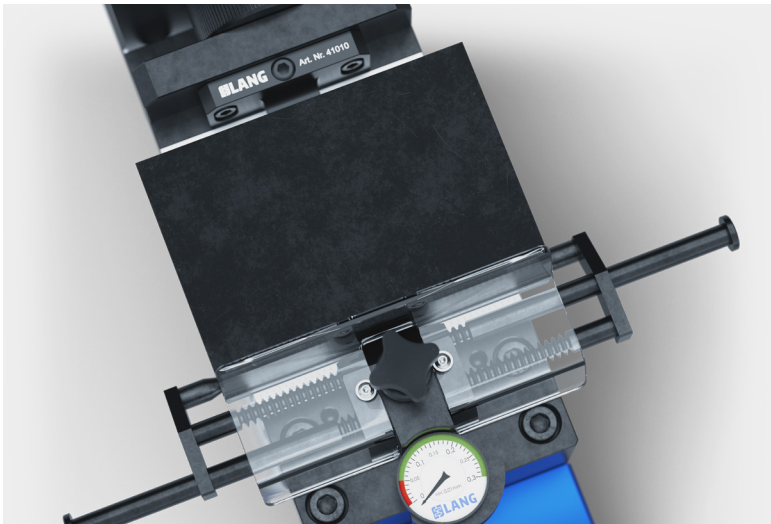
4 times longer service life without reconditioning. Thanks to the new four-row serration, stamping jaws no longer need to be sent in for reconditioning, which saves time and money. After one row of teeth wears out, the jaw is simply rotated and turned three more times. You already own a stamping system from LANG Technik and would also like to take it to the next level? No problem! With a retrofit set of fixed and movable jaws, the new stamping jaws can also be used on existing stamping units (please see p. 21 bottom).



Higher holding forces in milling operations

Details make the difference! Instead of control marks between each stamping tooth, the new stamping jaws have a continuous serration. Due to the "new form fit" between stamping contour and serrated clamping jaw, up to 60% higher holding forces can be achieved in milling operations, depending on the material (hardness). A real gain in reliability and clamping quality. Good to know: Workpiece blanks that have been stamped with the new stamping jaws can be clamped without any problems with previous Makro-Grip® 5-Axis Vises – with even higher holding forces than before.



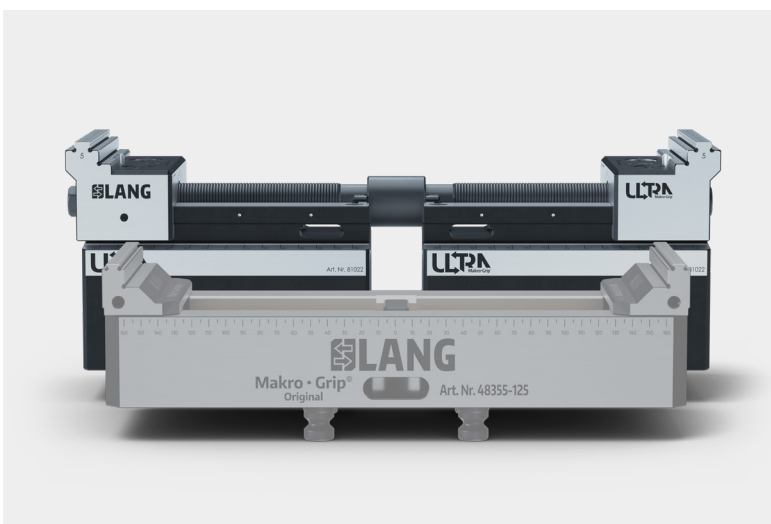
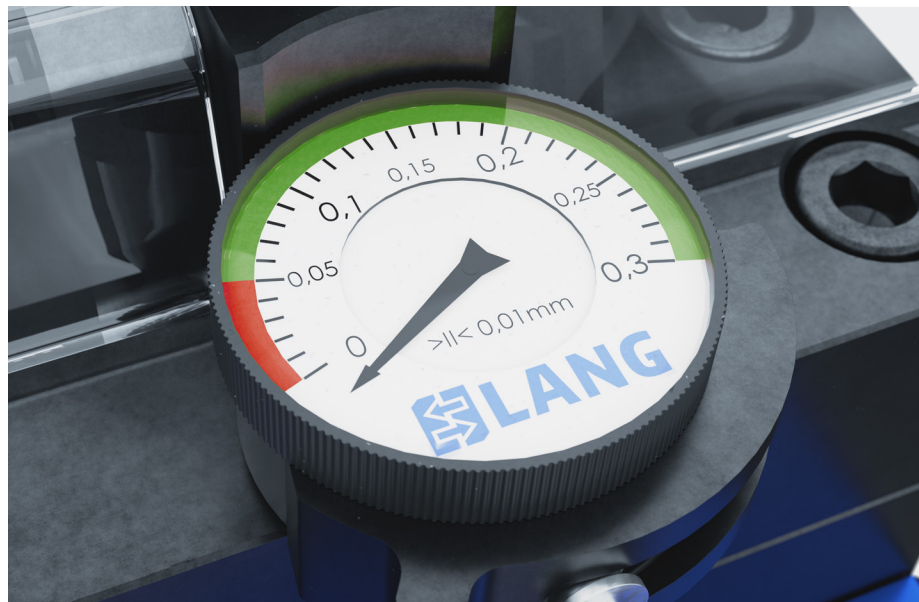


Easier insertion of workpiece blanks

Time savings during setup, more convenience in handling, and less susceptibility to operator errors – with the new centering unit, which is available as an accessory, you can insert your blank exactly in the center up to a workpiece width of 205 mm. This eliminates the need to measure the blank beforehand in order to set the multi-joint workpiece endstop.

Correct stamping depth conveniently readable

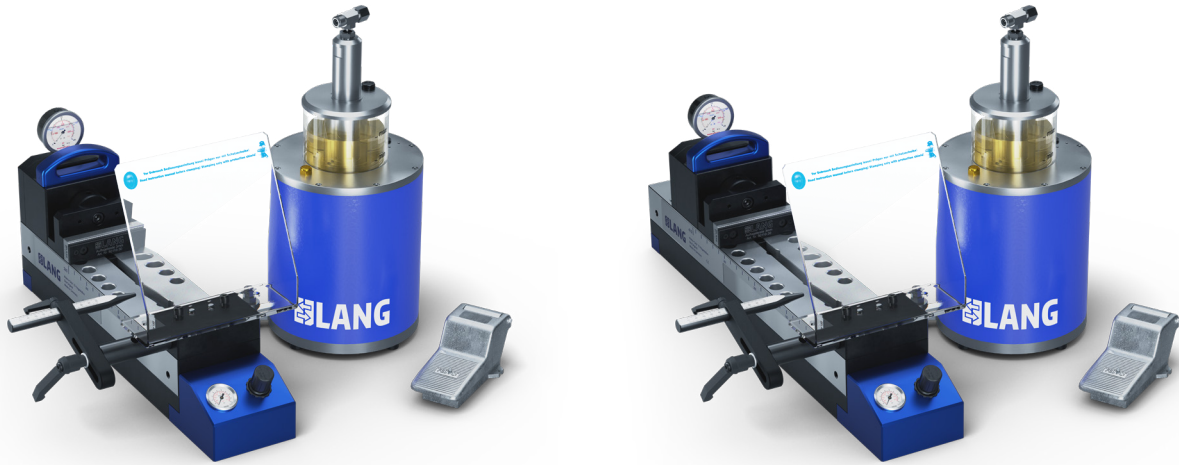
The stamping depth gauge makes setting the stamping pressure as easy as it gets. Visual inspection of the workpiece blank and possible re-stamping are completely eliminated. Instead, the pressure is simply increased until the desired stamping depth is reached. Presetting the depth according to the material and width of the workpiece makes the work much easier and enables an accurate reading on the dial gauge. Thanks to this method, the stamping process becomes more reliable and is based less on experience and feeling and more on precise data.



Greater coverage of clamping ranges

The new stamping units were developed with the aim of covering even more vise lengths and clamping ranges. We have succeeded! With the short version, raw parts can now be stamped up to a clamping range of 260 mm and clamped in the 5-Axis Vise with the same base body length (previously with the next shorter vise length). The long version of the stamping unit (max. opening up to 355 mm) now includes the maximum clamping range of the short Makro-Grip® Ultra clamping system (410 mm).

Makro-Grip® FS Stamping Unit



MAKRO-GRIP® FS STAMPING UNIT FOR WORKBENCHES INCLUDING PNEUMATIC-HYDRAULIC POWER MULTIPLIER (1 – 360 BAR)

ITEM NO.	TYPE	MAX. STAMPING RANGE	STAMPING JAWS	WEIGHT
51260	Standard	260 mm	Standard for materials up to 35 HRC	70 kg
51260-HE	Standard	260 mm	High-End for materials up to 45 HRC	70 kg
51410	Extended	410 mm	Standard for materials up to 35 HRC	80 kg
51410-HE	Extended	410 mm	High-End for materials up to 45 HRC	80 kg

Included in the scope of delivery of the stamping unit with power multiplier:

Stamping jaws incl. 3 mm parallels, gauging blocks for checking the wear of the stamping jaws, protection shield, scaled workpiece endstop.

Why better?

- Higher clamping range coverage in both versions
- Faster setting process due to new features and accessories
- More ergonomic stamping process due to one-handed adjustment of stamping width and a front-mounted pressure control valve

ADDITIONAL STAMPING VISE / BASE BODY FOR EXPANSION OF EXISTING STAMPING UNITS

ITEM NO.	TYPE	MAX. STAMPING RANGE	STAMPING JAWS	WEIGHT
53261	Standard	260 mm	Standard for materials up to 35 HRC	42 kg
53261-HE	Standard	260 mm	High-End for materials up to 45 HRC	42 kg
53411	Extended	410 mm	Standard for materials up to 35 HRC	47 kg
53411-HE	Extended	410 mm	High-End for materials up to 45 HRC	47 kg

Single stamping vise / base body including mounting and connecting parts (without pneumatic-hydraulic power multiplier).

Makro·Grip® FS Stamping Trolley



STAMPING TROLLEY WITH MAKRO·GRIP® FS STAMPING UNIT INCLUDING PNEUMATIC-HYDRAULIC POWER MULTIPLIER (1 – 360 BAR)

ITEM NO.	TYPE	MAX. STAMPING RANGE	STAMPING JAWS	QTY STAMPING BODIES	T-SLOT PLATE
52521	Standard	260 mm	Standard for materials up to 35 HRC	1	no
52521-HE	Standard	260 mm	High-End for materials up to 45 HRC	1	no
53400	Extended	410 mm	Standard for materials up to 35 HRC	1	yes
53400-HE	Extended	410 mm	High-End for materials up to 45 HRC	1	yes
53402	Extended	2 × 410 mm	Standard for materials up to 35 HRC	2	yes
53402-HE	Extended	2 × 410 mm	High-End for materials up to 45 HRC	2	yes

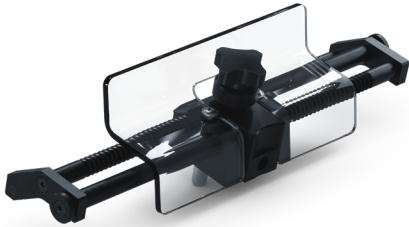
Included in the scope of delivery of the stamping trolley and stamping unit with power multiplier:

Stamping jaws incl. 3 mm parallels, gauging blocks for checking the wear of the stamping jaws, protection shield, scaled workpiece endstop.

Why better?

- Possibility to mount three stamping bases on the t-slot plate to stamp extra-long components. Exact mapping of the distance of 3 × Makro·Grip® 5-Axis Vises in the 96 mm zero point grid.
- Increased flexibility, thanks to the option to now also mount the short version of the stamping unit on the new t-slot plate.
- Convenient adjustment of the stamping pressure thanks to the integrated pressure control valve on the front of the stamping trolley.
- Additional drawer to store equipment. Whether tools, spare jaws or extrusion oil – everything now has its place directly in the stamping trolley.
- Foot pedal firmly connected to the stamping trolley, optionally as left- or right-foot operation. No annoying hoses on the floor.

Makro·Grip® FS Stamping Unit Accessories



CENTERING DEVICE FOR MAKRO·GRIP® FS STAMPING UNIT

ITEM NO.	MAX. WORKPIECE WIDTH	QTY
50151	205 mm	1 pc.

Automatic, centered positioning of the blank (up to workpiece width 205 mm) without prior measuring or setting of a workpiece endstop.



DEPTH GAUGE FOR MAKRO·GRIP® FS STAMPING UNIT

ITEM NO.	QTY
50152	1 pc.

Convenient setting of the correct input pressure by reading off the correct stamping depth on a dial gauge without additional visual inspection.



CENTERING DEVICE & DEPTH GAUGE SET FOR MAKRO·GRIP® FS STAMPING UNIT

ITEM NO.	MAX. WORKPIECE WIDTH	QTY
50150	205 mm	1 set

The new accessory set of centering device and depth gauge saves time during setup and reduces the likelihood of operator application errors.

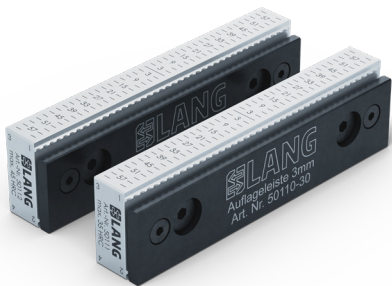
Makro-Grip® FS Stamping Unit Accessories



GAUGING BLOCKS FOR CHECKING WEAR OF STAMPING JAWS

ITEM NO.	SUITABLE FOR	QTY
50153	for Makro-Grip® FS Stamping Jaws	1 set (3 pcs.)

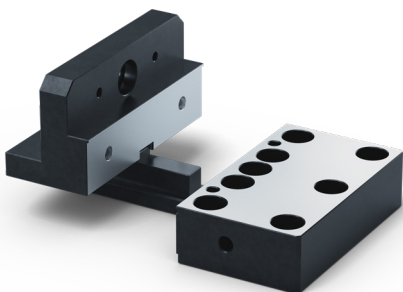
The stamping teeth should be checked regularly by using the gauging blocks to ensure constant stamping and thus clamping quality. Gauging blocks are already included in the scope of delivery of all stamping units.



MAKRO-GRIP® FS STAMPING JAWS INCLUDING 3 MM PARALLELS

ITEM NO.	TYPE	QTY
50111	Standard for materials up to 35 HRC	1 pair
50112	High-End for materials up to 45 HRC	1 pair

New version of stamping jaws with four rows of teeth. 4 times longer service life without reconditioning the stamping teeth. These stamping jaws are compatible with all stamping unit versions of the FS series, as well as the conversion set listed below for previous stamping units.

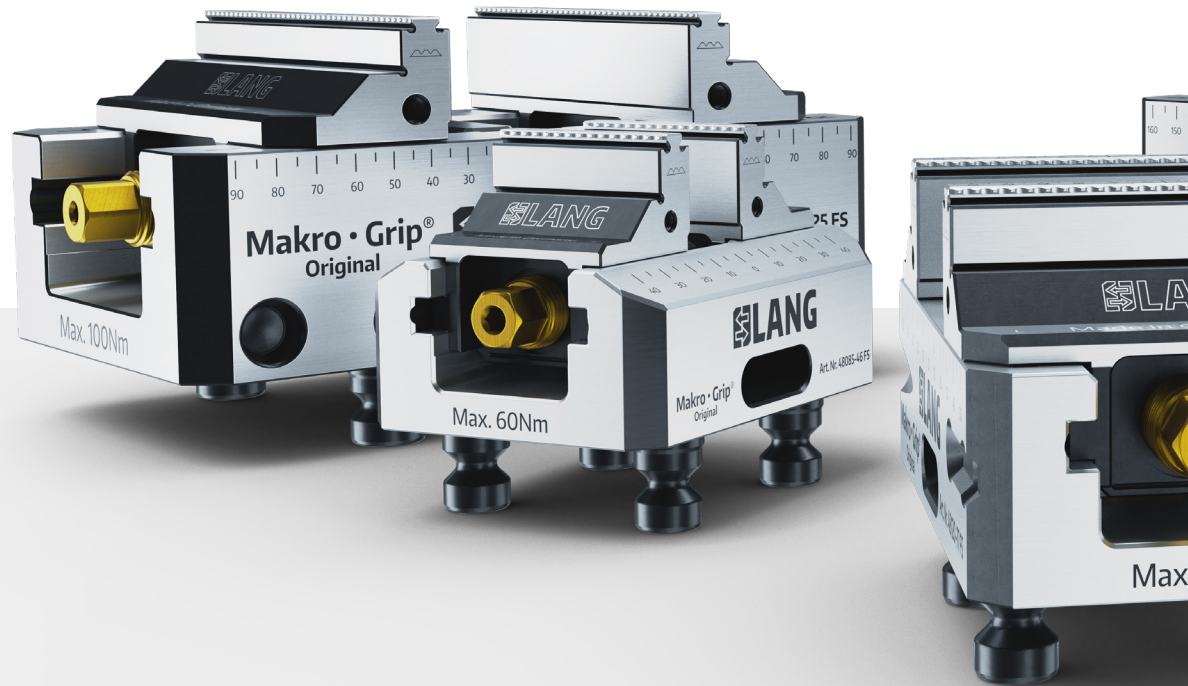


CONVERSION SET FOR PREVIOUS STAMPING UNITS

ITEM NO.	SUITABLE FOR	QTY
51260-20	all Makro-Grip® stamping units starting with item no. 41 ...	1 pair

With the conversion set (consisting of fixed and movable carrier jaw), new Makro-Grip® FS stamping jaws as well as the centering device and depth gauge can be mounted on existing stamping units. Attention: Stamping jaws are not included in the scope of delivery!

Makro·Grip® FS 5-Axis Vises



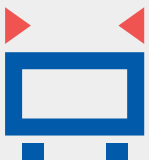
→ New serration for up to 60% higher holding forces

All Makro·Grip® 5-Axis Vises are now also available with **continuous serration (full serration)**. Due to the form fit between continuously stamped workpiece blank and the 5-Axis Vises of the FS series, you benefit from even higher holding forces and thus **even more process reliability** in the clamping process.



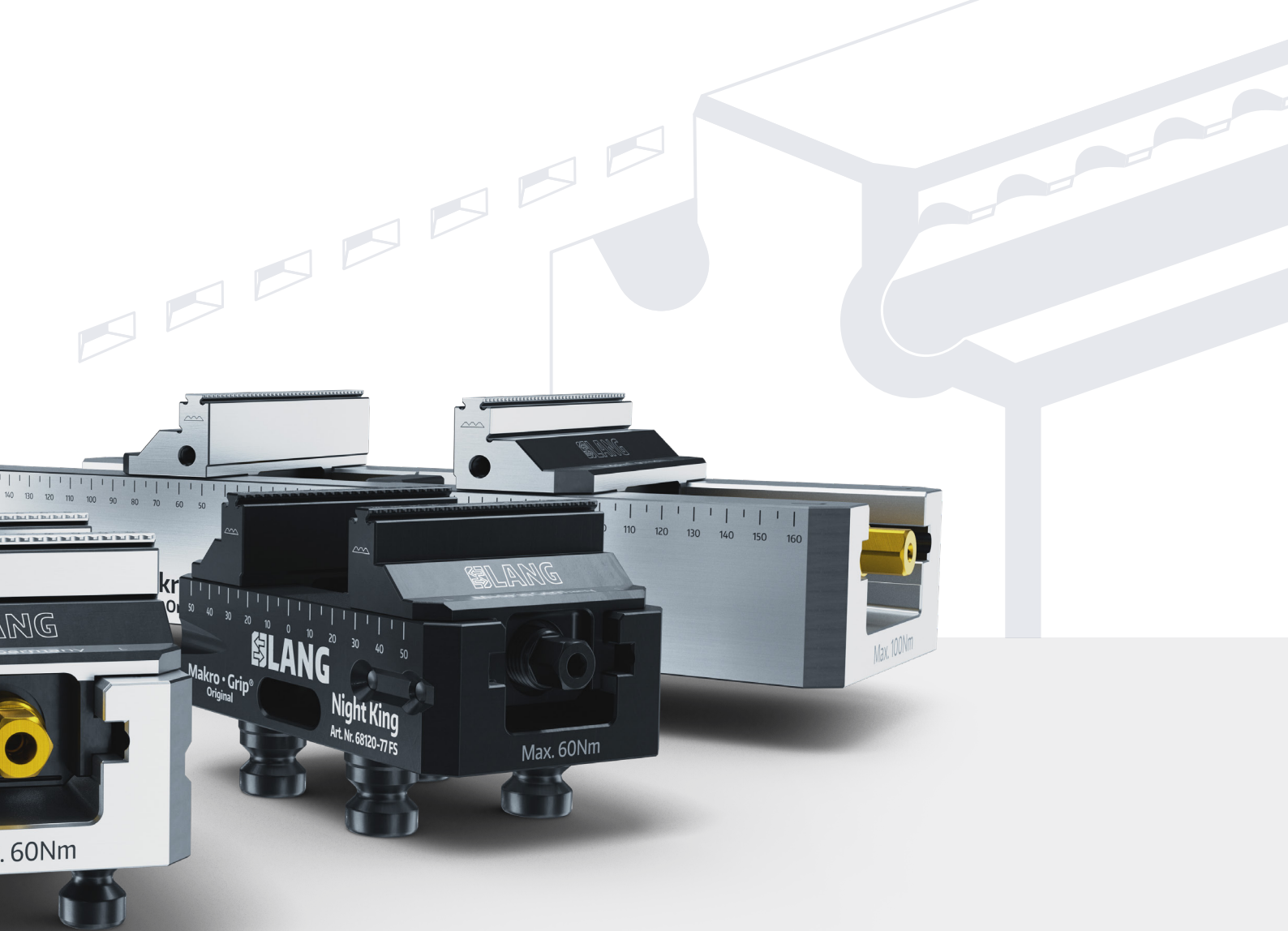
→ Everything else remains the same

The (interference) contours and dimensions of the 5-Axis Vises remain the same as before. For this reason, accessories and spare parts of the previous vise series (e.g. threaded spindle / center piece) are also fully compatible.



→ Compatibility with previous series

Spare jaws of the FS series can be retrofitted to existing Makro·Grip® 5-Axis Vises.



MAKRO-GRIP® FS 5-AXIS VISES

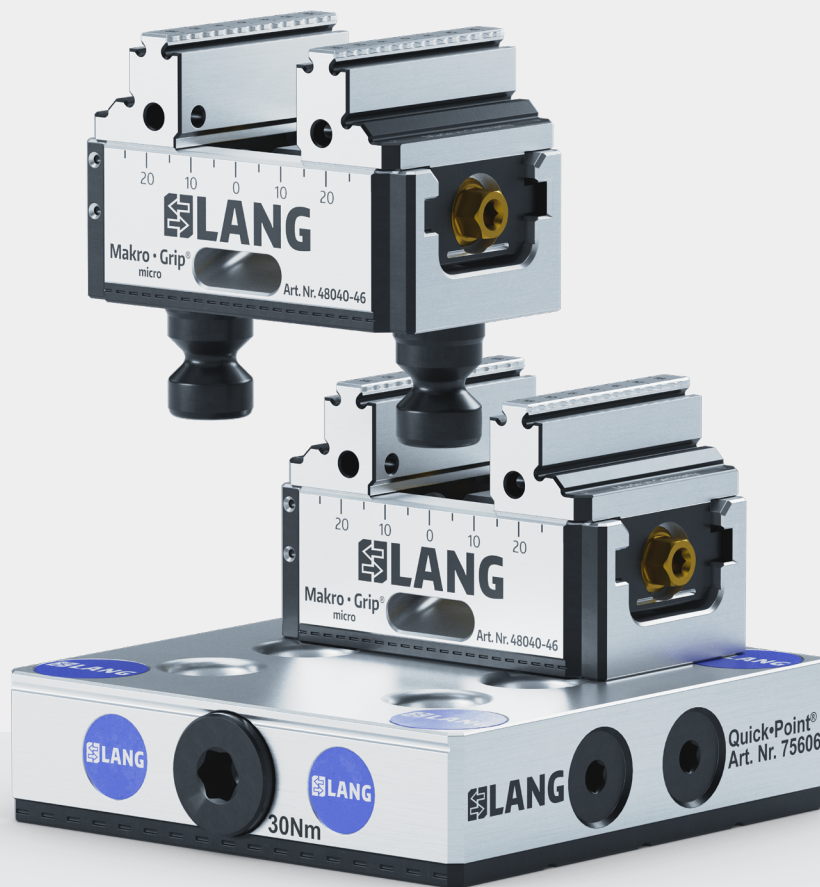
ITEM NO.	JAW WIDTH	BASE LENGTH	CLAMPING RANGE	WEIGHT
48065-46 FS	46 mm	77 mm	0 – 65 mm	1,8 kg
48085-46 FS	46 mm	102 mm	0 – 85 mm	2,1 kg
48120-46 FS	46 mm	130 mm	0 – 120 mm	2,6 kg
48085-77 FS	77 mm	102 mm	0 – 85 mm	2,4 kg
48120-77 FS	77 mm	130 mm	0 – 120 mm	2,9 kg
68120-77 FS Night King	77 mm	130 mm	0 – 120 mm	2,9 kg
48160-77 FS	77 mm	170 mm	0 – 160 mm	3,6 kg
48200-77 FS	77 mm	210 mm	0 – 200 mm	4,2 kg
48155-77 FS	77 mm	160 mm	0 – 155 mm	7,4 kg
48205-77 FS	77 mm	210 mm	0 – 205 mm	9,1 kg
48155-125 FS	125 mm	160 mm	0 – 155 mm	8,4 kg
48205-125 FS	125 mm	210 mm	0 – 205 mm	10,1 kg
48255-125 FS	125 mm	260 mm	0 – 255 mm	12,1 kg
48305-125 FS	125 mm	310 mm	0 – 305 mm	13,9 kg
48355-125 FS	125 mm	360 mm	0 – 355 mm	15,7 kg

Information on spare jaws on website

Spare jaws are of course also available for the new FS series.

All information and part numbers can be found on our website www.lang-technik.de.

Makro·Grip® 46 micro Quick·Point® 52 duo



→ More parts clamped on a small footprint

and therefore perfect for multiple clamping on clamping bridges and tombstones

→ Greater application diversity

through modularity and compatibility with the Quick·Point® 52 system

→ Ideal for the automation of small parts

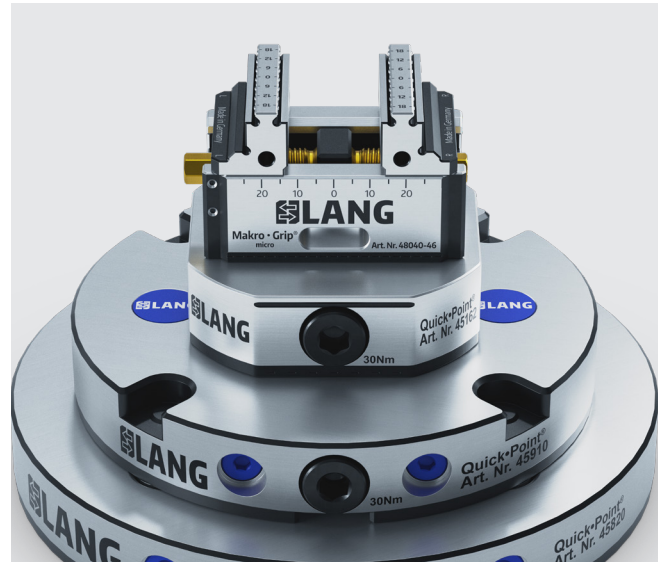
due to the combination of compactness and holding force

Perfect combination in the tightest of spaces

"Small but mighty" has rarely been more fitting. The new Makro-Grip® 46 micro is a real space-saver – **perfectly suited for multiple clamping of small components in limited space**. Matching: The new Quick-Point® 52 duo series. What's special about it? A compact vise base body with only 2 clamping studs, which also makes it possible to clamp two 5-Axis Vises side by side in just one zero point plate.



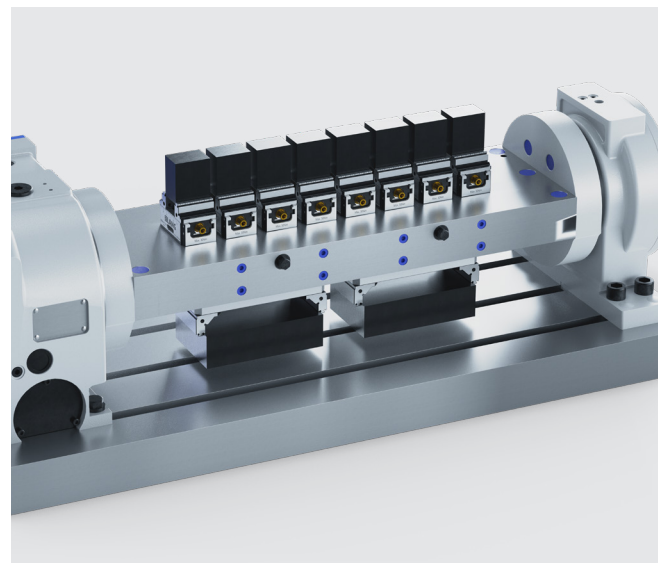
The micro vise has a hardened stamping contour in the base body, which allows it to be clamped in any Makro-Grip® 77 and 125 with high positioning accuracy. It thus offers a flexible option for quickly machining small components on 5 sides with large and medium-sized vises.



From big to very small – Even with the Quick-Point® 96 zero point clamping system, the Makro-Grip® micro can be used. This is made possible by additional adapter plates, which also provide extra accessibility in 5-sided machining.



The new Quick-Point® 52 duo6 zero point plate offers three possible clamping configurations: Two Makro-Grip® 46 micro clamped side by side (as shown in the picture), one Makro-Grip® 46 micro centered or one regular Makro-Grip® 5-Axis Vise with four clamping studs.



Clamping bridges and towers are ideally suited for multiple clamping in small spaces or for single part clamping of long components. The versatility of the zero point clamping system allows changeovers between different clamping setups within seconds.

Makro·Grip® 46 micro

Makro·Grip® FS 46 micro



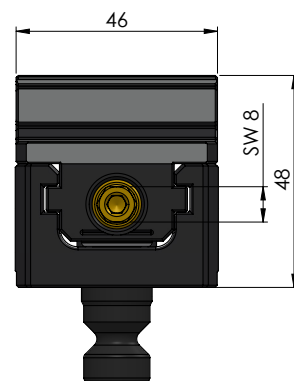
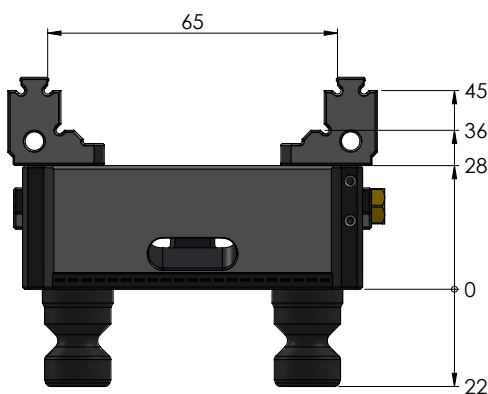
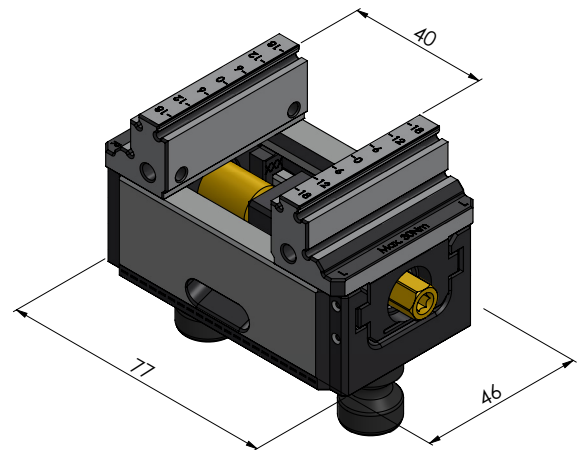
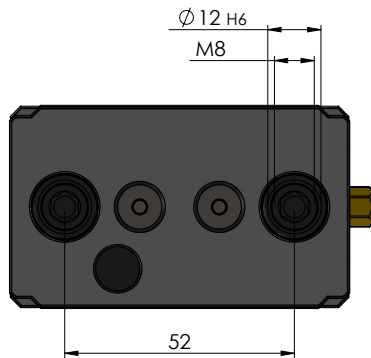
with control marks



full serration

MAKRO·GRIP® 46 MICRO, 5-AXIS VISE JAW WIDTH 46 MM

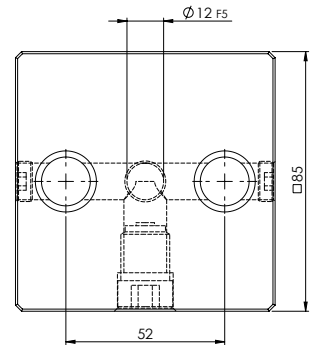
ITEM NO.	SERRATION TYPE	BASE LENGTH	CLAMPING RANGE	WEIGHT
48040-46	with control marks	77 mm	0 – 65 mm	0,8 kg
48040-46 FS	full serration	77 mm	0 – 65 mm	0,8 kg



Quick-Point® 52 duo



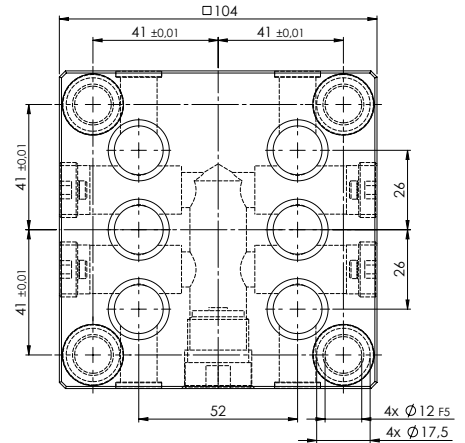
QUICK-POINT® 52 DUO2, GRID PLATE
85 × 85 × 27 MM, WITHOUT MOUNTING BORES



ITEM NO.	DIMENSIONS	WEIGHT
45602	85 × 85 × 27 mm	1,4 kg
45004	Set mounting bores according to customer's request	
45002	Set keyways according to customer's request	



QUICK-POINT® 52 DUO6, GRID PLATE
104 × 104 × 27 MM, WITH MOUNTING BORES FOR QUICK-TOWER

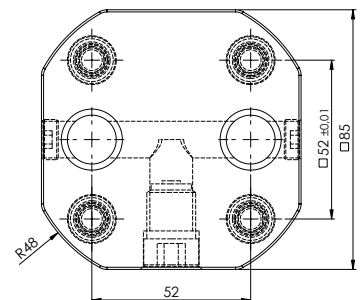


ITEM NO.	DIMENSIONS	MOUNTING BORES	WEIGHT
75606	104 × 104 × 27 mm	82 × 82 mm	1,7 kg

Including 4 screws M 10 × 35, 2 bushings Ø 12 × 12 mm (Item No. 45000-09).



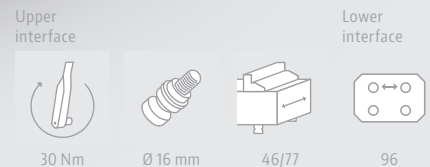
QUICK-POINT® DUO2, ADAPTER PLATE
85 × 85 × 27 MM



ITEM NO.	DIMENSIONS	WEIGHT
45162	85 × 85 × 27 mm	1,4 kg

Including 4 Quick-Point® 52 clamping studs Ø 16 mm.

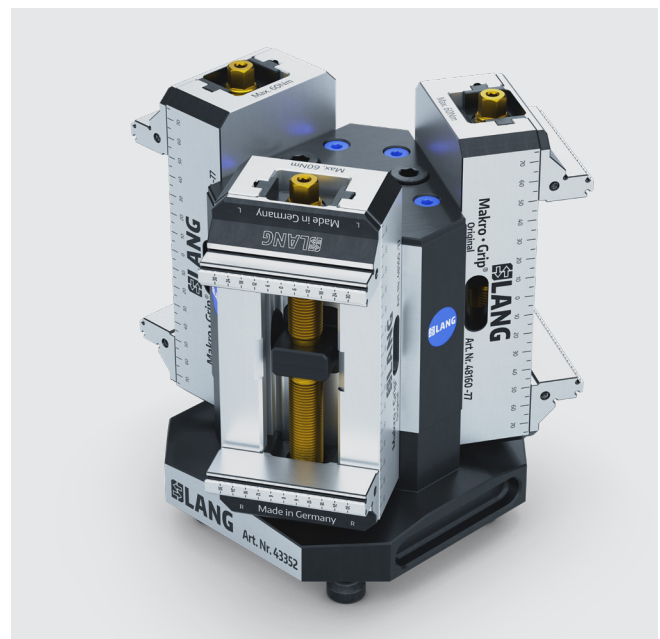
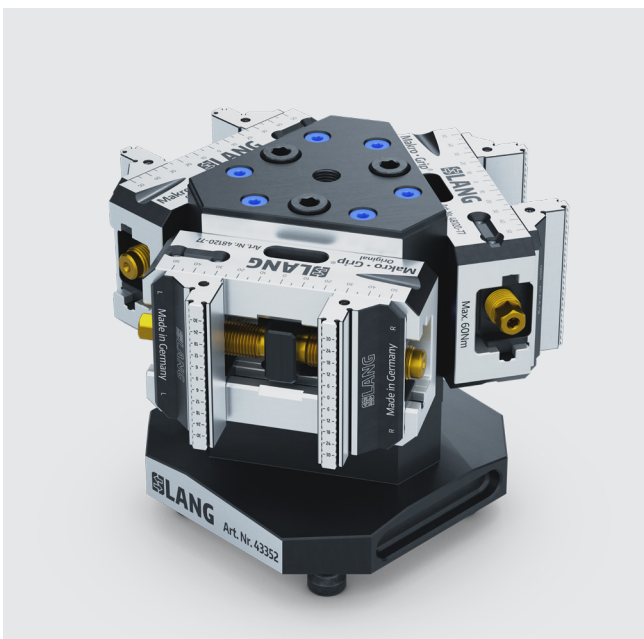
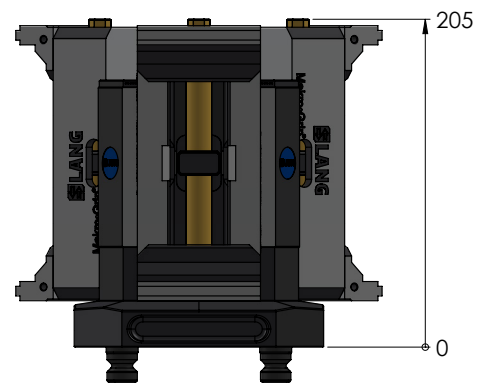
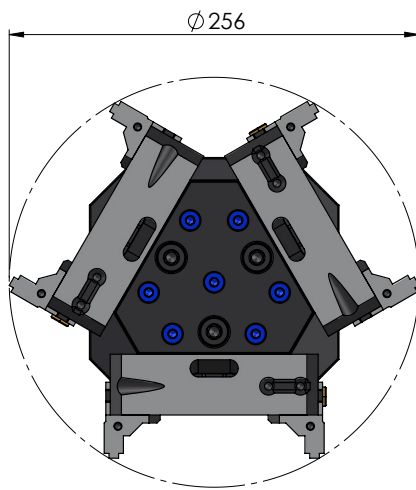
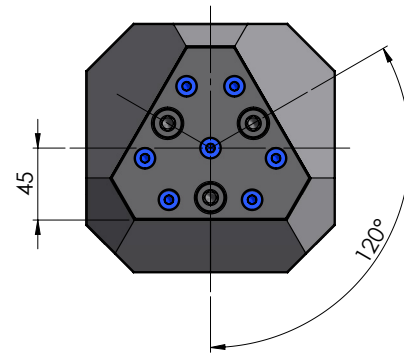
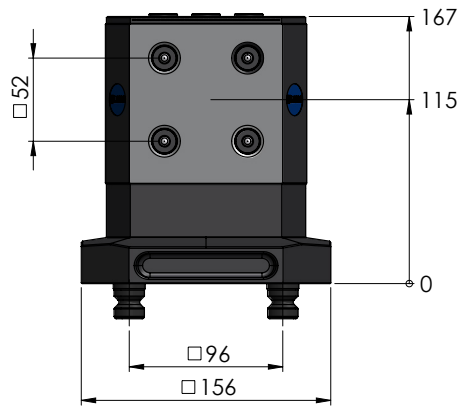
Quick·Point® Tri·Top 3-face tombstone



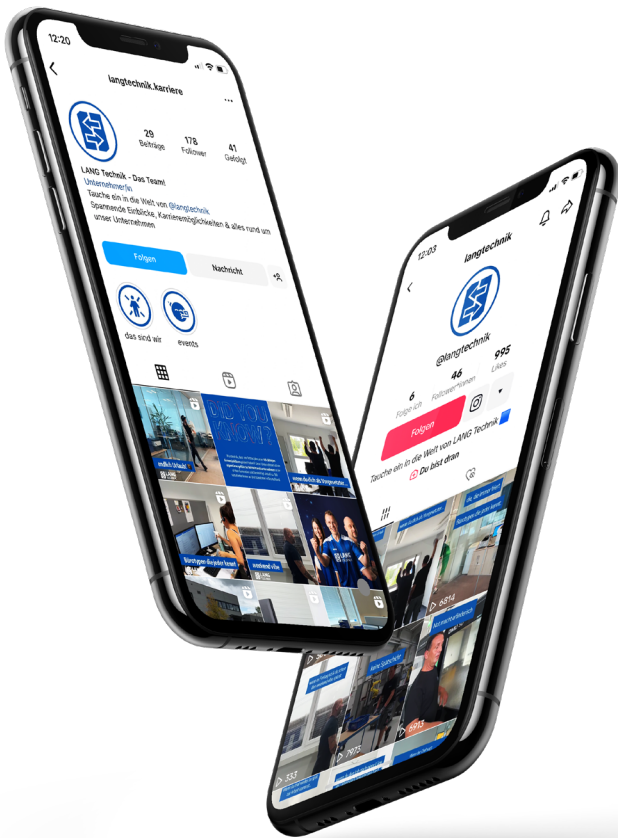
QUICK·POINT® TRI·TOP, 3-FACE TOMBSTONE

ITEM NO.	DIMENSIONS	WEIGHT
43352	156 × 156 × 167 mm	10,0 kg

The Tri-Top returns in a fresh design! With its **sturdy steel base body**, the 3-face tombstone is a guarantee for maximum precision. Despite its robustness, the Tri-Top remains handy and has the same interference contours as its predecessor. The 3-fold zero point mounting, suitable for Makro-Grip® 46 and 77, **reduces downtimes and tool changes** in milling operations.



With horizontal mounting, three Makro-Grip® 77 5-Axis Vises with a maximum length of 130 mm can be clamped in the Tri-Top (left). Clamped vertically, a maximum vise length of 170 mm is possible (right). Shorter lengths and smaller sizes can of course also be used.



Behind the scenes with
our **career channel**
on Instagram and TikTok!

 [instagram.com/langtechnik.karriere](https://www.instagram.com/langtechnik.karriere)

 [tiktok.com/@langtechnik](https://www.tiktok.com/@langtechnik)

Imprint

Title:

LANG new products – Fall 2023

Date of printing 08/2023

Editor:

LANG Technik GmbH

Albstraße 1-6

D-73271 Holzmaden

Phone: +49 7023 9585-0

Fax: +49 7023 9585-100

Internet: www.lang-technik.de

E-Mail General: info@lang-technik.de

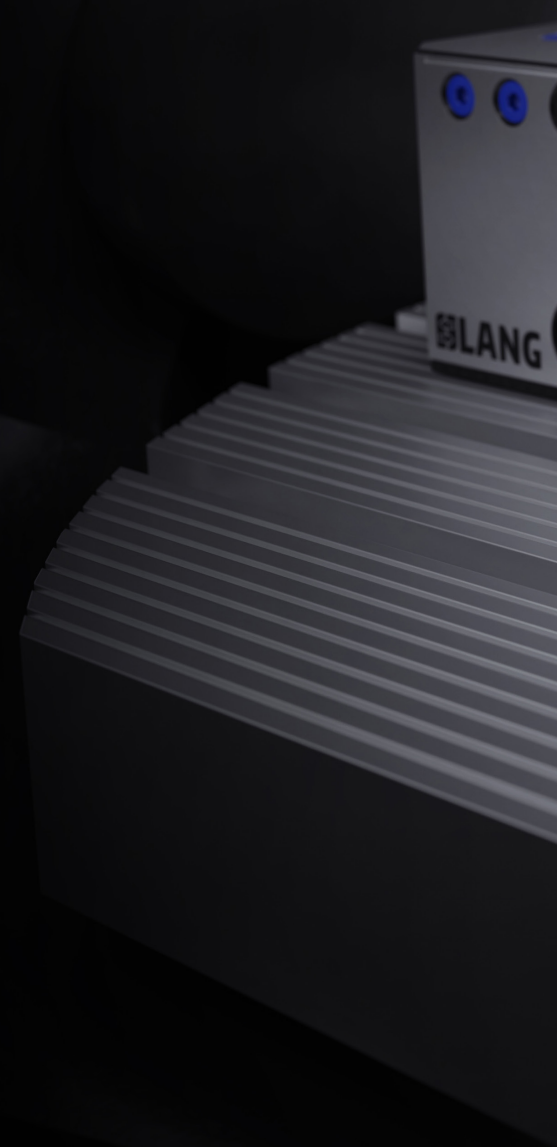
E-Mail Sales: sales@lang-technik.de

Legal provisions:

Copyright © 2023

LANG Technik GmbH

All rights reserved. Reprint, recording in online-services, internet and duplication on data carrier as CD ROM, DVD, etc. or in extracts are prohibited. Misprints, errors and changes are subject to modifications. All indications of weight are approximate values. Illustrations can vary from items.



→ facebook.com/langtechnik
→ instagram.com/langtechnik

→ twitter.com/langtechnik
→ youtube.com/langtechnik

→ linkedin.com/company/lang-technik
→ tiktok.com/@langtechnik